

RESET REPLACEMENT KIT #100799

Please read complete instructions before replacing components.

Parts Included

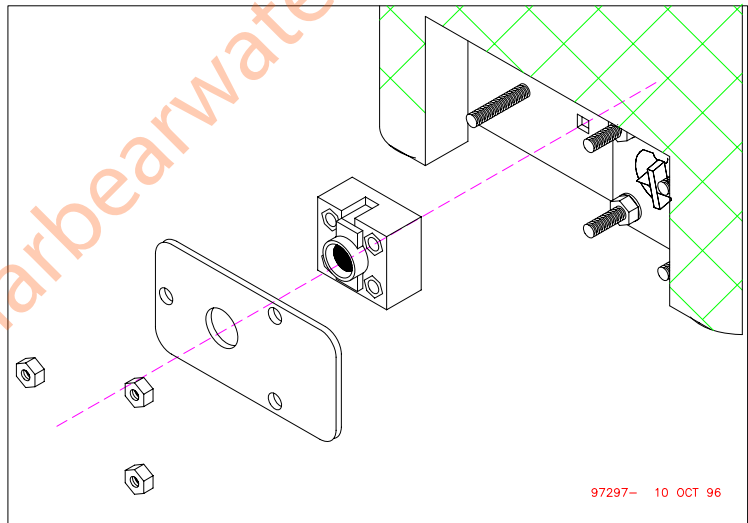
Part #	Qty	Description
100129	1	SWITCH, BOILER TANK RESET

Tools Required

Red Robertson Screwdriver
7/16" Socket w/ Ratchet or 7/16" Nut Driver

Assembly Instructions

1. Turn main power switch on distiller off and unplug cord from wall.
2. Drain the boiler tank. **CAUTION: DRAIN VALVE MAY BE VERY HOT.** Wait at least 1 hour for distiller to cool.
3. Using the Robertson screwdriver, remove the Distiller front cover.
4. Using a 7/16" socket or nut driver, remove the nuts attaching the lexan reset plate to the boiler tank. The reset switch will hang from it's wires.
5. Using the Robertson screwdriver, loosen the screw on terminal 1 of the old reset switch. Disconnect the wires from the old switch and connect them to terminal 1 on the new reset.
6. Repeat for terminals 2, 3 and 4. When this is done, double check with the schematic and wiring list in your manual to ensure that the wiring is correct.
7. Place reset switch flush against boiler and reattach lexan plate. Replace front cover. Ensure impurities drain valve is closed.



The distiller should now operate properly. If it does not, confirm that the wires are connected to the proper location by referring to your electrical schematic. If they appear correct, we suggest you take your distiller to an authorized service representative.