

FLOAT ROD REPLACEMENT KIT #100513 (26), 101144 (42 or 100-L), or 102410 (200-L)

This part should be installed along with part #100801, the float gasket replacement kit. Please read complete instructions before replacing components.

Parts Included

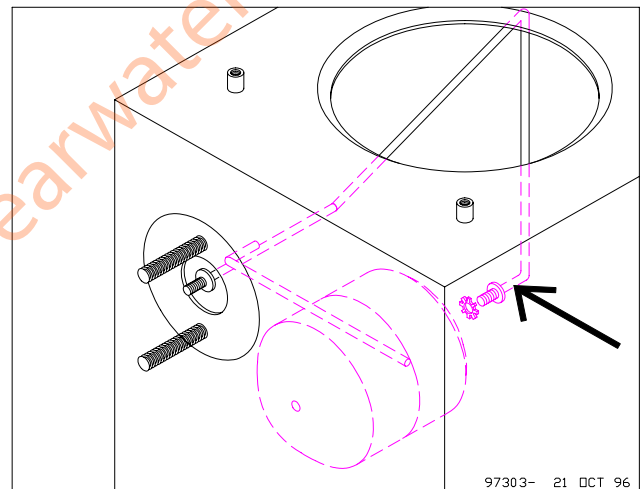
Part #	Qty	Description
100513	1	26D BOILER FLOAT ROD, W.A. OR
101144	1	B.T. FLOAT ROD, W.A., 42D OR
102410	1	ASSEMBLY, 200-L B.T. FLOAT ROD

Tools Required

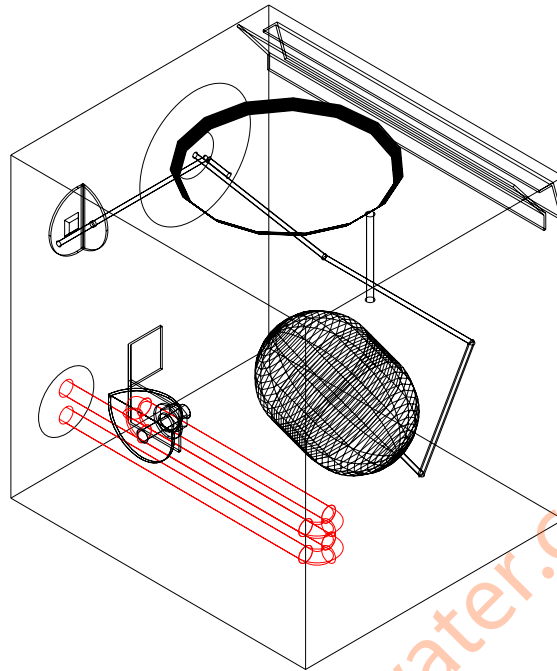
Red Robertson Screwdriver
#2 Phillips Screwdriver
Adjustable (Crescent) Wrench
Needle Nose Pliers
7/16" Nutdriver or socket

Assembly Instructions

1. Turn main power switch on distiller off and unplug cord from wall plug.
2. Drain the boiler tank. **CAUTION: DRAIN VALVE MAY BE VERY HOT.** Wait at least 1 hour for the boiling tank to cool.
3. Using the Robertson screwdriver, remove distiller covers. On a 26-CT, 26D-8, 26C-8 or 26-14, this will require disconnecting the feed line and removing the brass feed line fitting at the back of the distiller. **ENSURE SADDLE VALVE IS CLOSED BEFORE DISCONNECTING FEED LINE.**
4. Remove boiling tank lid. Grip the float rod with the needle nose pliers at the location indicated by the arrow. Unscrew the float ball and remove. Also remove the locktooth washer.
5. Follow the instructions given in your float gasket replacement kit to remove old float gaskets, but do not install the new ones. Carefully remove float rod.
6. Screw locktooth washer and float ball on to new float rod. **DO NOT BEND THE FLOAT ROD.**
7. Place new float rod into boiler tank. Install by first fitting float rod arm into the float bracket inside the boiling tank.
8. Install the new float gaskets according to the instructions given in your float gasket replacement kit.



9. Replace distiller covers and boiling tank lid. Replace feed line connection fitting and feed line (if it was removed). Open saddle valve.



The distiller should now operate properly. If it does not, we suggest you take your distiller to an authorized service representative.

www.polarbearwater.com